

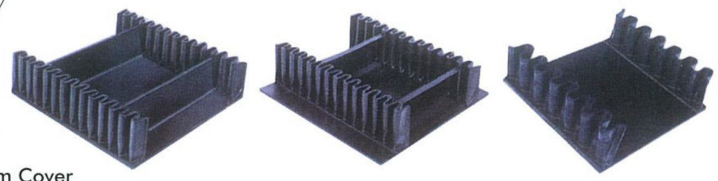
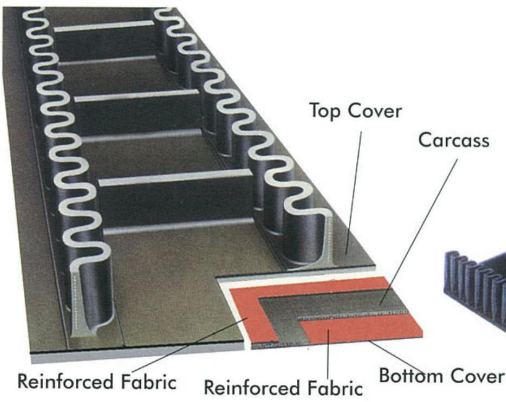
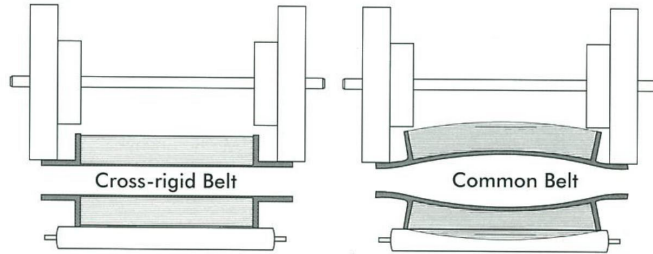
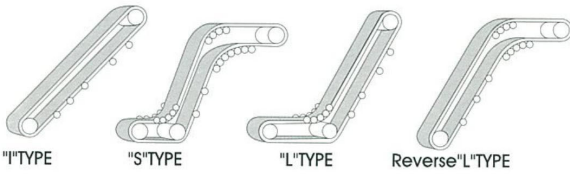
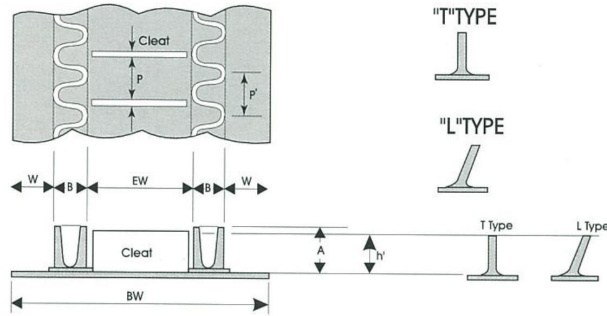
Side wall Conveyor Belt



APPLICATIONS :

Belts can be used at a steeper angle up to 75° than was previously possible for the volume movement of powdery and lumpy materials.

Useful when require skirt-boards along the whole length of the belt, or when wear from skirt-boards shortens belt life.



MODEL	"S" shape flange				Cleat
	A	B	C	P'	
KSW-1	60	50	50	50	55
KSW-2	80	55	55	50	75
KSW-3	100	65	65	50	90
KSW-4	135	85	85	70	125
KSW-5	150	85	85	80	140
KSW-6	200	90	60	60	180

P: From 300m/m~1000m/m