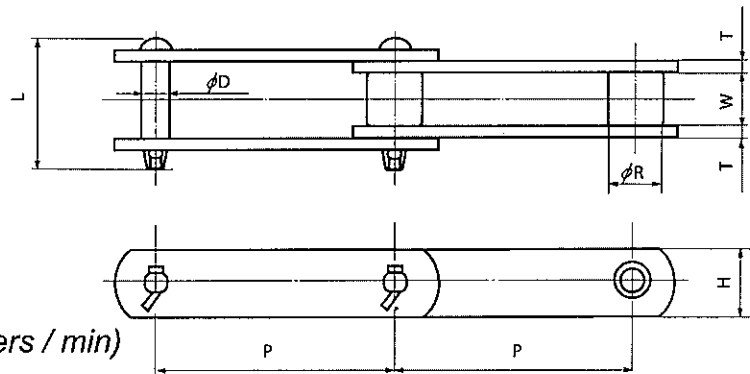


PALM OIL MILL CHAIN



S ROLLER TYPE

- Economical
- Light load
- Vertical conveyor
- Shorter center distance (<10meters)
- Chain sliding or rolling (higher kW)
- Dirty application & low speeds (<20meters / min)



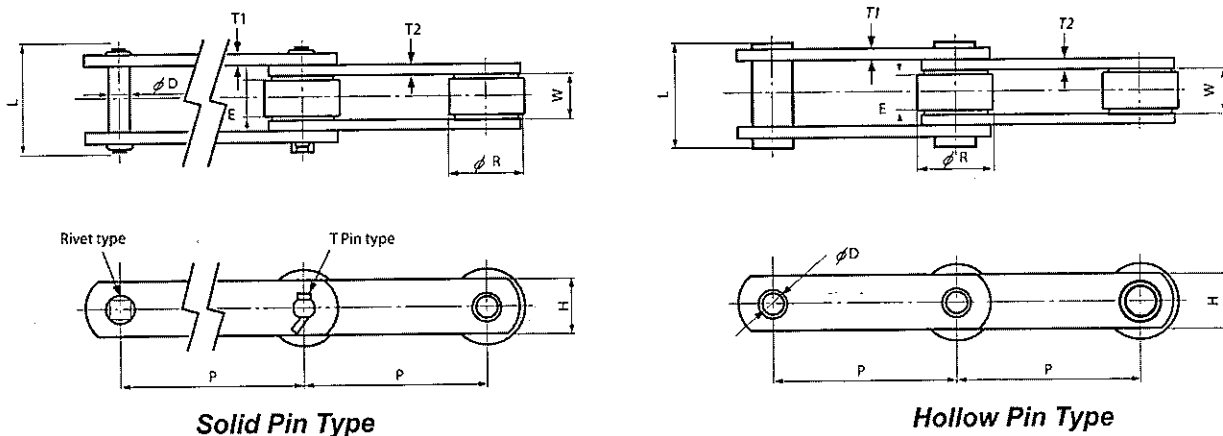
S ROLLER - Small Roller Type

(Dimensions in mm)

Chain No.	Pin Type	Pitch P	Roller		Inner Width W	Link Plate		Pin		Approx Weight kg/mtr	Average Break load	
			Contact E	Dia. R		Height H	Thick T	Dia. D	Length L		kN	kg(lb)
			FC9503S	Cottered		76.7	29.8	29	31		38.1	6.4
FC05100S	Cottered	100	21	22.2	22	32	4.5	11.3	53.2	3.76	75*	7,645(16,820)
FC6205S	Cottered	152.4	36.3	34.9	36.8	44.5	8	15.9	85	9.15	186*	18,960(41,712)

*pending SIRIM certification, at publication time

BRITISH Standard – BIG SOLID BEARING PIN & HOLLOW PIN TYPE



Solid Pin Type

Hollow Pin Type

(Solid Pin) Chain No. BS Std	Pin Type	Pitch P	Roller		Inner Width W	Link Plate		Pin		Approx Weight kg/mtr	Average Break load	
			Contact E	Dia. R		Height H	Thick T1/T2	Dia. D	Length L		kN	kg(lb)
			4SP21T	Riveted		101.6	18.4	47.6	19.1		38.1	5.1/5.1
6SP60T ^{RC}	Riv/Cot	152.4	24.6	66.7	25.4	50.8	8.0/9.0	26.9	83.8	14.16	400	40,775(89,704)
6SP90T	Cottered	152.4	24.6	66.7	25.4	50.8	8.0/9.0	26.9	83.8	14.2	400*	40,775(89,704)
FC5289 ^{RC}	Riv/Cot	152.4	23.7	66.8	25	50.8	6.4/6.4	22.1	67.6	11.4	195	19,878(43,730)

(Hollow Pin) Chain No. BS Std	Pin Type	Pitch P	Roller		Inner Width W	Link Plate		Pin		Approx Weight kg/mtr	Average Break load	
			Contact E	Dia. R		Height H	Thick T1/T2	Dia. D	Length L		kN	kg(lb)
			4HP21T	Riveted		101.6	18.5	47.6	19.1		39.4	5.1/5.1
6HP35T	Riveted	152.4	24.6	66.7	25.4	50.8	5.1/6.0	20.1	56	9.8	156*	15,909(35,000)
6HP50T	Riveted	152.4	24.6	66.7	25.4	50.8	6.4/7.8	20.1	62.4	10.86	277	28,236(62,120)

*pending SIRIM certification, at publication time

^{RC}Cottered Pin will be supplied unless stated otherwise

(Dimensions in mm)