

# Impact and spiral roller



## Impact Roller

Impact rollers are recommended for use at loading point of belt conveyor or on belt feeder to absorb the impact of material handled.

## Spiral Roller

Spiral rollers are used to scrape off the material stuck to the return side of the belt. This prevents wear and tear to the return rollers.

## Dynamic Balances

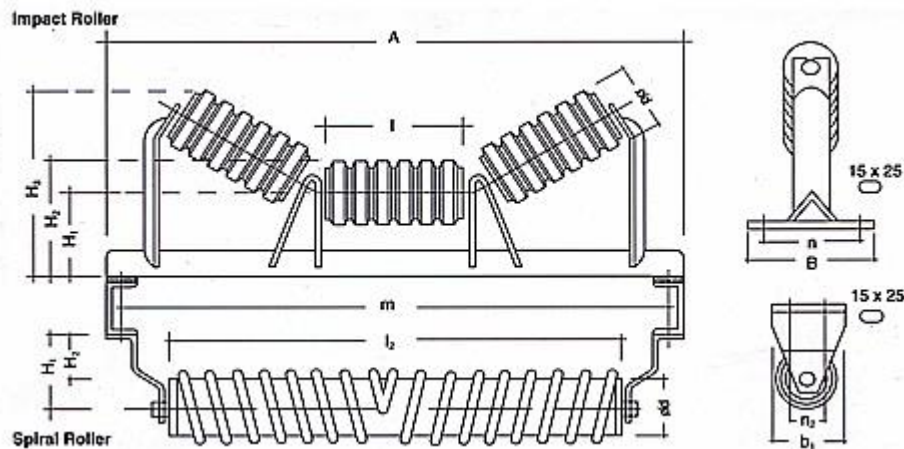
Our automatic mass production assembly techniques guarantee high degree of balance minimum eccentricity impact forces is greatly reduced by this dynamic balance during high-speed operation and this enhance the life span of bearing.

## Rubber Seal

The rubber seal, a self-cleaning structure, has less coefficient of friction and also ensures perfect exclusion of foreign materials thus protecting the ball bearings.

## Maintenance- Free Operation

The rubber seal type has a built-in non-lubrication system which is maintenance-free and hence reduce running cost.



Unit: mm

IMPACT ROLLER													
UMS - NS	UMS - LS	UMS - RS	Belt width (mm)	Dimensions									Weight (Kg)
				ød	l	m	A	H1	H2	H3	n	B	
UMS 40-I	UMS-40 I		400	100	145	640	690	125	175	251	140	190	12.95
UMS 45-I	UMS 45-I		450	100	165	690	740	125	175	261	140	190	13.40
UMS 50-I	UMS 50-I		500	100	180	740	790	125	175	268	140	190	14.05
UMS 60-I	UMS 60-I		600	100	210	840	890	140	190	298	150	200	15.40
UMS 75-I	UMS 75-I	UMS 75-I	750	115	265	1040	1090	150	208	344	160	210	22.20
UMS 90-I	UMS 90-I	UMS 90-I	900	115	315	1190	1240	150	208	369	160	210	25.60
	UMS 105-I	UMS 105-I	1050	140	370	1340	1390	180	250	440	180	230	39.75
	UMS 120-I	UMS 120-I	1200	140	420	1490	1540	180	250	465	180	230	44.35
		UMS 140-I	1400	165	500	1730	1795	250	333	589	280	340	91.40
		UMS 160-I	1600	165	580	1930	1995	250	333	629	280	340	115.20
		UMS 180-I	1800	165	650	2220	2285	280	363	693	330	390	151.90
		UMS 200-I	2000	165	730	2420	2485	280	363	734	330	390	171.80

SPIRAL ROLLER													
UMS - NS	UMS - LS	UMS - RS	Belt Width (mm)	Dimensions								Weight (Kg)	
				ød	l2	m	H1	H2	n2	b1			
UMS 40-S	UMS 40-S		400	100	460	640	60	110	60	110	8.20		
UMS 45-S	UMS 45-S		450	100	510	690	60	110	60	110	8.60		
UMS 50-S	UMS 50-S		500	100	560	740	60	110	60	110	10.50		
UMS 60-S	UMS 60-S		600	100	660	840	60	110	60	110	11.90		
UMS 75-S	UMS 75-S	UMS 75-S	750	115	850	1040	53	110	60	110	16.50		
UMS 90-S	UMS 90-S	UMS 90-S	900	115	1000	1190	53	110	60	110	19.00		
	UMS 105-S	UMS 105-S	1050	142	1150	1340	59	130	100	150	36.50		
	UMS 120-S	UMS 120-S	1200	142	1300	1490	59	130	100	150	40.60		
		UMS 140-S	1400	166	1530	1730	77	160	120	180	68.50		
		UMS 160-S	1600	166	1730	1930	77	160	120	180	73.20		
		UMS 180-S	1800	166	2000	2220	77	160	120	180	89.20		
		UMS 200-S	2000	166	2200	2420	77	160	120	180	96.10		

- NOTE: 1) The above rollers are manufactured according to JIS-B8803 to insure interchangeability.
- 2) Standard painting color is Black.
- 3) We reserve the right to alter the design, specifications or to discontinue the production of any item listed in this catalogue.